



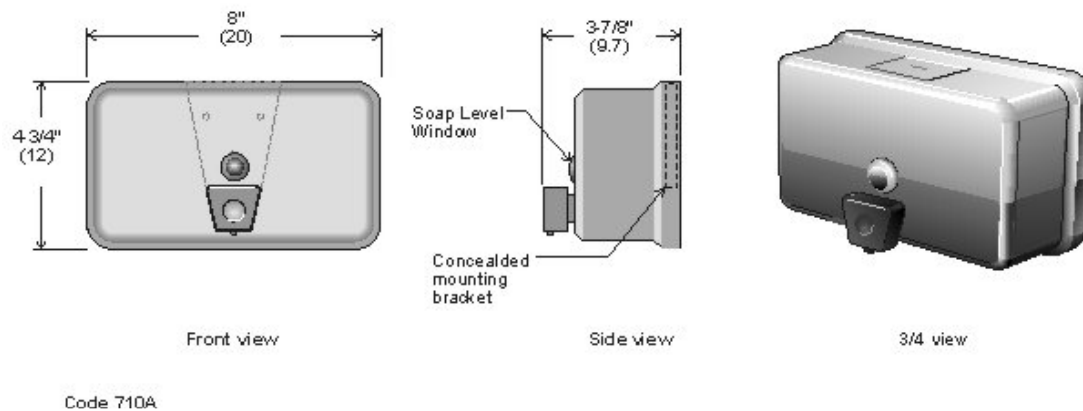
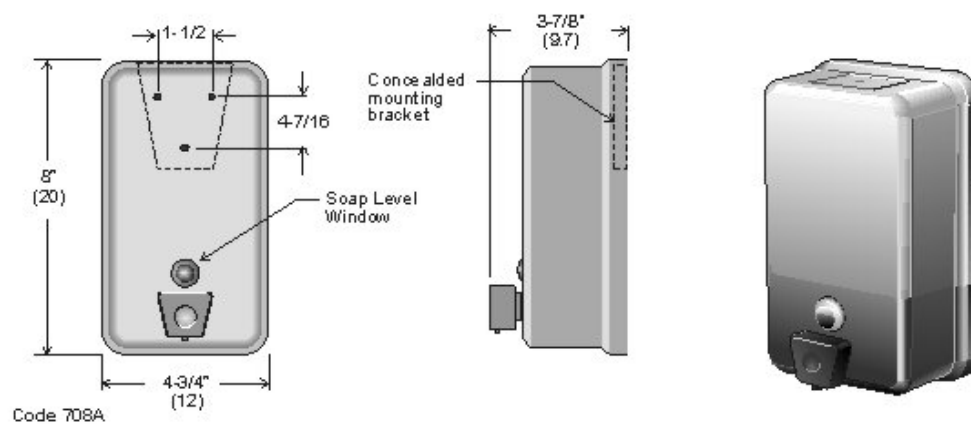
- Quality
- Value
- Service

**Tech
Reference**

Tank Type Soap Dispenser

Code 708A: All purpose valve, vertical mounting
Code 710A: All purpose valve, horizontal mounting

[Download PDF](#)



Specifications:

Site Location: The surface mounted unit is intended for any type of wall material or construction.

Features: Drawn and welded construction of 20 ga. stainless steel. Easy refill at top. Keyed lock filler cap. Lucite soap level indicator window. All mounting screws concealed.

Soap types: 708A, 710A: dispenses liquid soap at 10-20% solution as well as more viscous synthetic detergents, lotions and antiseptic soaps. We do not recommend any soap types that have an ammonium based surfactant, ie. Ammonium Lauryl Sulfate.

Capacity: Capacity of 1.2 kg (40 oz.).

Installation:

Secure mounting plate to wall through holes with three mounting screws provided.

Slip dispenser over mounting plate and secure with single screw through filler cap at top.

Description and specifications applicable on date issued. Frost reserves the right to make improvements or changes without notice.