



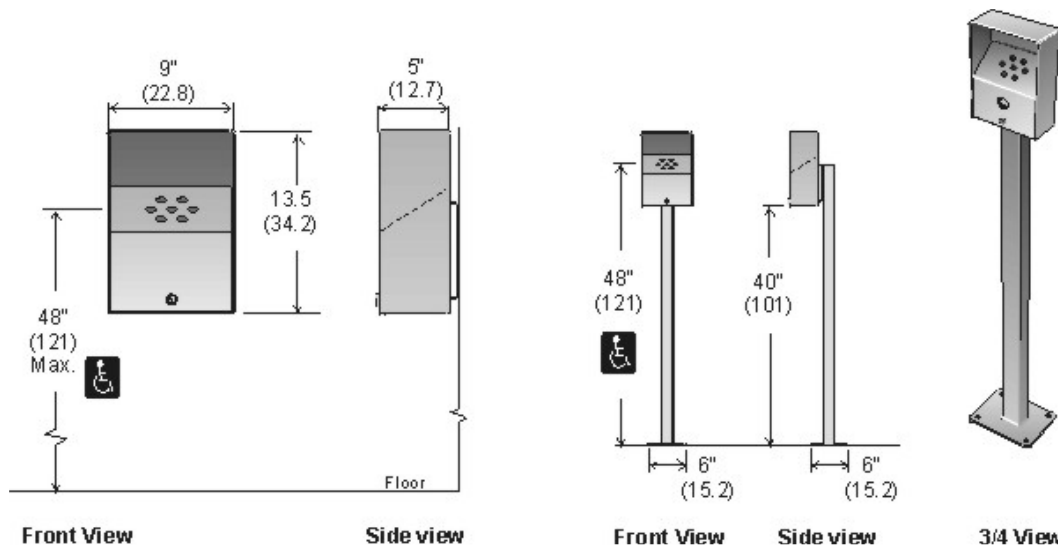
- Quality
- Value
- Service

**Tech
Reference**

Heavy Duty Outdoor Ash Bin and Accessories

- Code 909:** Heavy duty outdoor ash bin, stainless steel.
Code 909-100: Heavy duty pedestal, exterior polyester finish.
Code 909-500: Replacement removable inner liner.

[Download PDF](#)



Specifications:

Site Location:

Ideal for pedestrian common areas.

Features: 18 gauge stainless steel (304, # 4 brushed finish). Secured with tumbler keyed lock. Door is hinged with full length stainless steel piano hinge. Corrosion resistant galvanized steel (22 ga.) inner liner with baffle opening. Offset mounting bracket keeps unit 5/8" away from wall for extra fire insulation.

Shipping weight: 11 lbs.

Installation: For unrestricted access, height of cigarette inlet to floor must not exceed 48" (121 cm) from floor.

Code 909-100 Specifications

Site Location:

The 909-100 pedestal is intended for use with the code 909 ash bin to allow for floor mounting where wall mounting is impractical.

Materials: Vertical support shall be 2" x 2" crs tubing (14 ga.). Ash bin mounting plate shall be 1/8" crs plate. Floor mounting plate shall be 1/4" crs plate. All welded construction.

Shipping weight: 18 lbs.

Installation: Secure to floor with appropriate anchoring system for floor material. Use floor plate as a template to locate mounting holes. Drill holes and set anchors as required.

Description and specifications applicable on date issued. Frost reserves the right to make improvements or changes without notice.